

# PROTECT YOUR ASSETS

## PHARMACY SAFE

### The average pharmacy theft is over in 3.5 minutes

The Hamilton standard Pharmacy Safe is designed to fit underneath any standard height pharmacy counter, allowing it to easily replace a set of drawers or an empty space in existing fixtures.

### IMPORTANT FEATURES



### DOOR

- ✓ Half inch formed steel door, recessed to prevent prying
- ✓ Dead Man Angle preventing door from being removed by knocking hinges off
- ✓ Heavy-duty welded hinges

### BODY

- ✓ 11 Gauge solid steel body with reinforced frame including 1 inch walls in the front to obstruct attack
- ✓ Flexible interior with standard offering of six removable drawers, also available with dividers and shelves
- ✓ 34" of safe on top of a 4" base, bolted to the floor

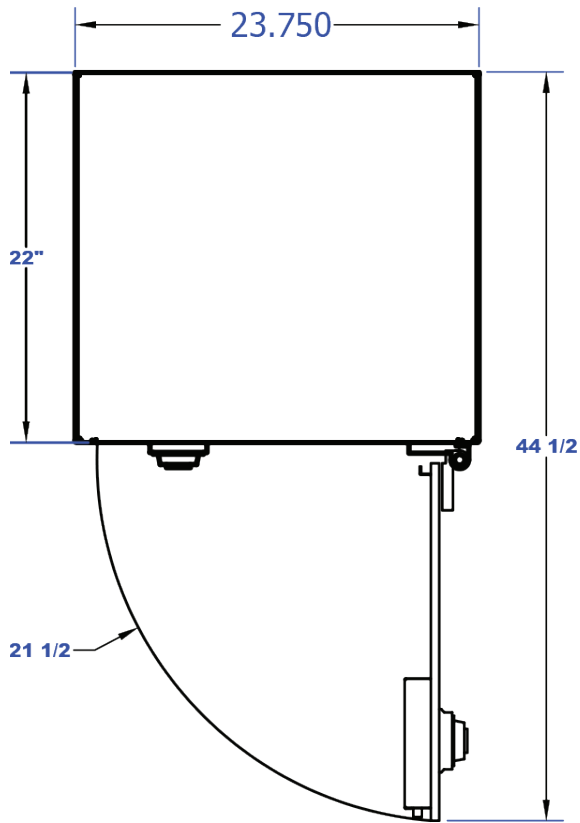
### FINISH

- ✓ Heavy-duty textured finish paint
- ✓ Standard colors are white, grey, and black but can be customized for a color match

### LOCK

- ✓ Comes standard with SecuRam ProLogic L22 with time/date audit capability built into the lock screen
- ✓ UL Listed
- ✓ 2 manager codes and 28 user codes
- ✓ 5,000+ openings on 9-volt battery, which sends out a signal well before it needs to be replaced
- ✓ Time delay functionality 1-99 minutes, programmable opening window 1-15 minutes, time delay override

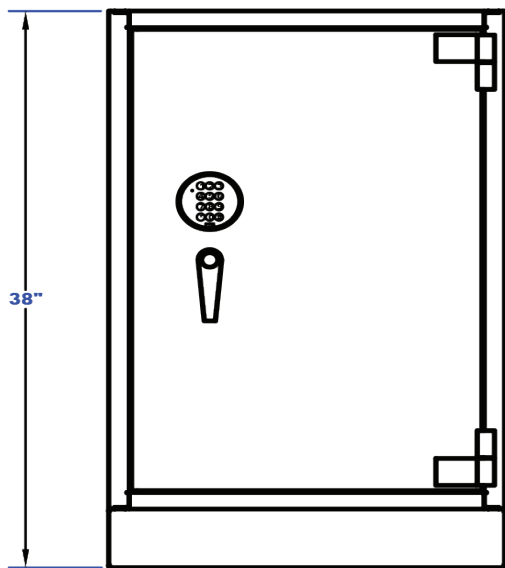




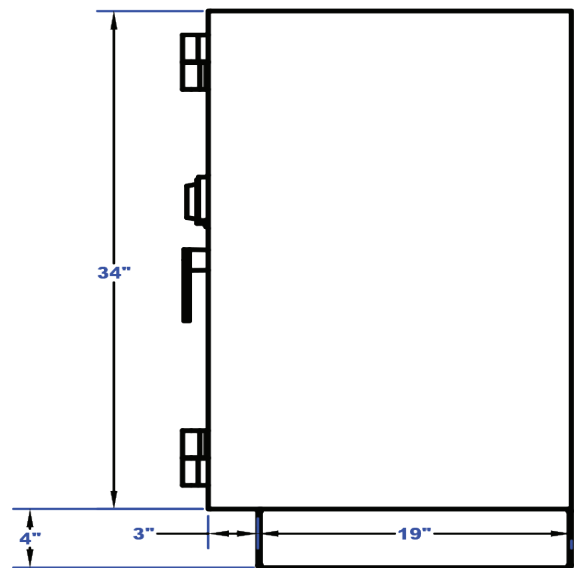
**PLAN VIEW**



Designed to fit underneath standard size pharmacy counter, with the ability to be customized to any size and security level



**FRONT VIEW**



**SECTION VIEW**